

Installation manual

M VESA Super Slim Tilt & Turn

EAN: 7350022734036

- en Installation manual
- ar تبيثلا ليلد
- cz Instalační manuál
- de Installationsmanual
- de Installationsanleitung
- ee Paigaldusjuhend
- el Οδηγίες εγκατάστασης
- es Manual de instalación
- fi Asennusohje
- fr Installation Manuel
- he הנקתה יירדמ
- hu Szerelési kézikönyv
- it Manuale di installazione
- jp 取り付け説明書
- kr 설치 설명서
- lt Montavimo instrukcija
- lv Uzstādīšanas rokasgrāmata
- nl Installatie handleiding
- no Installasjonshåndbok
- pl Instrukcja instalacji
- pt Manual de instalação
- ro Manual de instalare
- ru Инструкция по установке
- sk Inštalacný manuál
- sl Navodila za montažo
- sv Installationsmanual
- tr Montaj kılavuzu
- zh 安装手册



Warning!

Always check the depth of the holes before starting an installation.

تحذير!

الحرص دائما على عمق الثقوب قبل أن تبدأ في عمليّة التثبيت.

ADVARSEL!

Kontroller alltid hullernes dybde, før du går i gang med en installasjon.

WARNUNG!

Vor Beginn des Einbaus immer die Tiefe der Bohrungen überprüfen.

ΠΡΟΕΙΔΟΠΟΙΗΣΗ!

Ελέγχετε πάντοτε το βάθος των οπών προτού ξεκινήσετε την εγκατάσταση.

WARNING!

Always check the depth of the holes before starting an installation.

¡AVISO!

Controle siempre la profundidad de los agujeros antes de iniciar una instalación.

VAROITUS!

Selvitä reikien syvyyt ennen asentamisen aloittamista.

ATTENTION !

Vérifiez toujours la profondeur des trous avant de commencer l'installation.

ATTENZIONE!

Verificare sempre la profondità dei fori prima dell'installazione.

Varovani!

Před zahájením instalace vždy zkontrolujte potřebnou hloubku všech otvorů.

ADVARSEL!

Sjekk alltid hvor dype hullene er før du begynner å montere.

OSTRZEŻENIE!

Przed przystąpieniem do montażu należy koniecznie sprawdzić głębokość otworów.

ΠΡΕΔΥΠΕΡΕΙΔΗΣΗ!

Προτού αστυθώνωσει πάντα ελέγχετε τη βάθος των οπών.

VAROITUS!

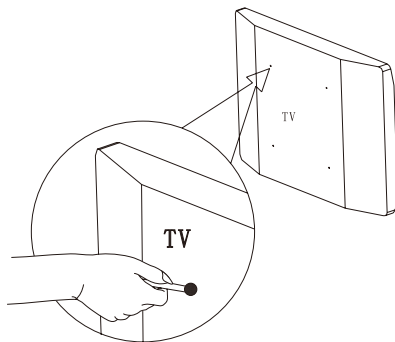
Kontrollera alltid hållens djup innan en installation påbörjas.

UYARI!

Montaja başlamadan önce daima deliklerin derinliğini kontrol edin.

警告!

請始終在開始安裝前檢查孔洞的深度。



WARRANTY CARD

MULTIBRACKETS.COM

MULTIBRACKETS™ Limited Warranty

Multibrackets warrants its products to be free of defects in material and workmanship for the product's Warranty Period. The Warranty Period commences on the original purchase date of the product.

All Multibrackets products are covered by a limited product warranty:

• **FIVE (5) years** for metal video monitor mounts; all racks and non-electrical rack accessories

• **TWO (2) years** for gaslifts and sit-stand workstations

• **ONE (1) year** for all motorized and/or automated products, plastic speaker mounts, all speaker stands, all furniture, all wood (MDF) accessories

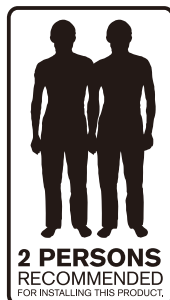
For warranty claims made during the Warranty Period, MULTIBRACKETS will replace any defective product part free of charge. Should a part on your Multibrackets product fail, please create an RMA case on www.multibrackets.com/support to make a warranty claim. We will await your documentation and then discuss the problem with you and once we confirm the product is under warranty, we will ship replacement parts to you. This Limited Warranty does not cover the costs of removing and replacing defective parts from your Multibrackets product. So, if your problem requires a repair technician, you must pay any labor charges.

This Limited Warranty extends only to the original purchaser of the product and is automatically void if your Multibrackets product is modified in any way, improperly installed, taxed beyond its stated weight capacity or otherwise misused or abused. All Multibrackets products are intended for indoor use only and any

outdoor use voids this Limited Warranty. The Limited Warranty for wall and ceiling mounts is void if the mount is moved from its initial installation. To the maximum extent permitted by applicable law, Multibrackets disclaims any other warranties, express or implied, including warranties of fitness for a particular purpose and warranties of merchantability. Multibrackets will not be liable for any damages whatsoever arising out of the use or inability to use its products, even if Multibrackets has been advised of the possibility of such damages. To the maximum extent permitted by applicable law, Multibrackets disclaims any responsibility for incidental or consequential damages.

Multibrackets™ Stockholm Sweden 2016.
www.multibrackets.com

The content of this manual is subject to change without further notice. The latest version of this manual can be found online under the product name on the website: www.multibrackets.com



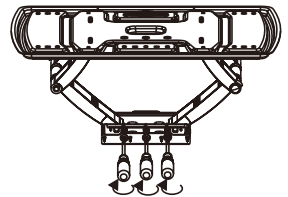
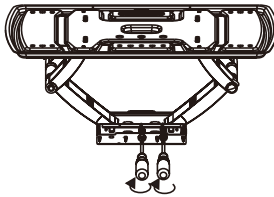
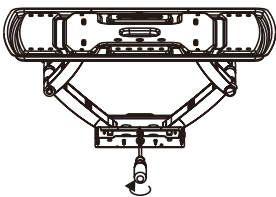
(A)		X4	(B)		X4	(C)		X4	(D)		X4	(E)		X4	(F)		X4	(G)		X4
(H)		X6	(I)		X6	(J)		X4	(K)		X4	(L)		X1	(P)		X2	(Q)		X2

1

15kg~25kg
26"~47"

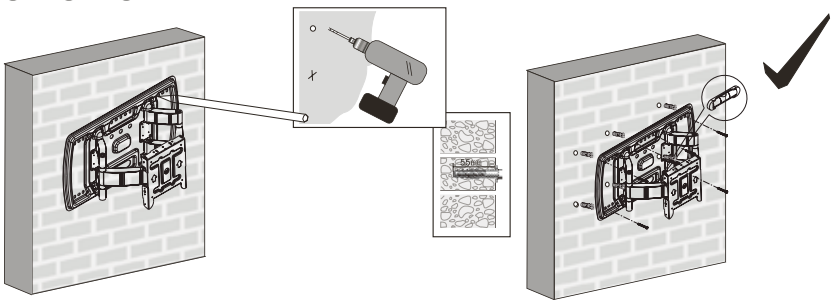
25kg~30kg
47"~52"

30kg~40kg
52"~65"



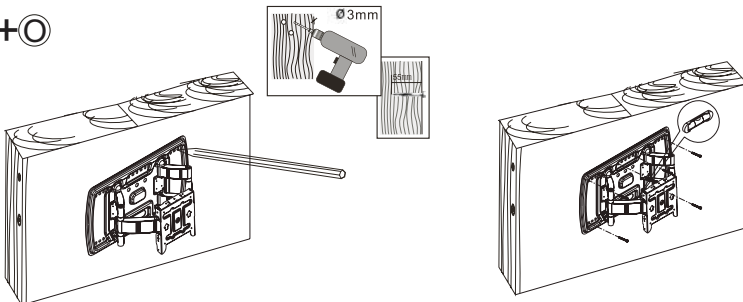
2

(H)+(I)+(O)



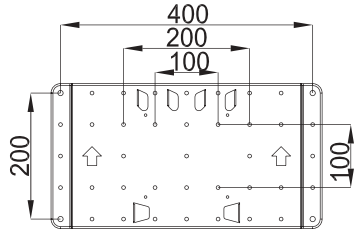
2a

(H)+(O)



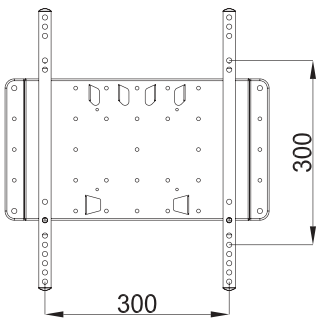
3

Vesa 100x100 200x100 200x200 400x200



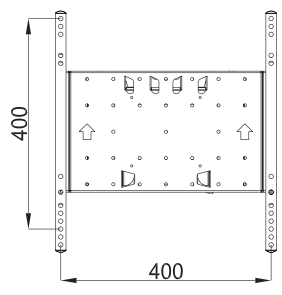
3a

Vesa 300x300



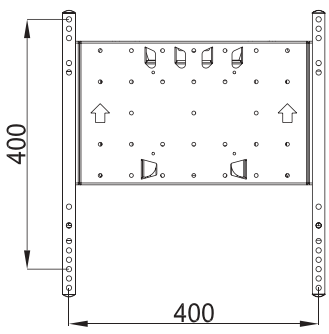
3b

Vesa 400x400



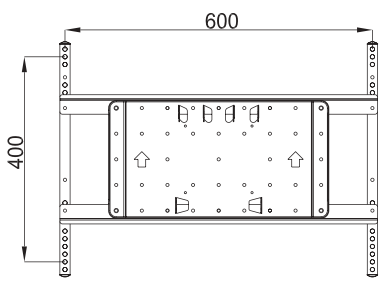
3c

Vesa 400x400



3d

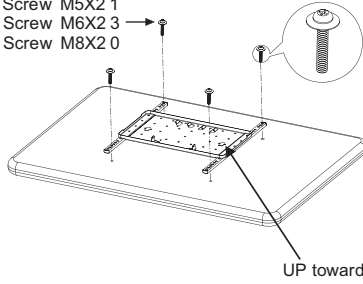
Vesa 600x400
(OPTIONA L extenders)



4

(A) or (D) or (F)

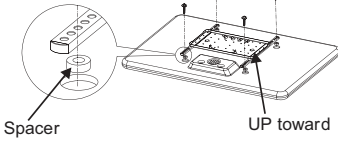
Screw M5X2 1
or Screw M6X2 3
or Screw M8X2 0



4a

(B) or (E) or (G) + (J) or (K)

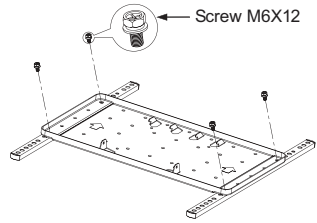
Screw M5X3 0
or Screw M6X3 0
or Screw M8X3 0



4b

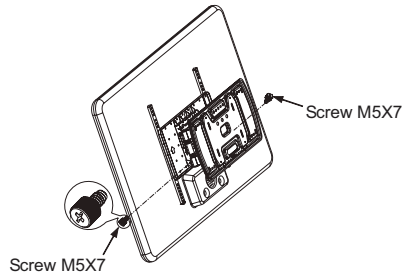
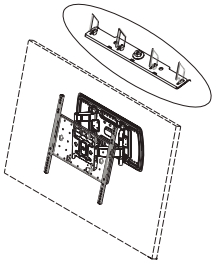
(C)

Screw M6X12



5

(Q)



6

(R) + (P)

